

Installation Instructions

Part Number:
56021

REESE® CUSTOM QUICK INSTALL MOUNTING KIT

FOR 30153 REESE® RAILS ONLY

2013 to Current Dodge Ram 3500

WARNING: Under no circumstances do we recommend exceeding the towing vehicle manufacturers recommended vehicle towing capacity.

READ ALL INSTRUCTIONS BEFORE STARTING THE INSTALLATION

REESE® Custom Quick Install mounting brackets only include the hardware to attach the custom brackets to the frame.

Equipment Required:

Fastener Kit: 56021F

Wrenches / Sockets: 3/4", 15/16" & 10mm

Drill Bits: 1/8", 9/16" & 1 1/4" Hole saw

Other Tools: Center Punch, Measuring Tape & Reciprocating Saw (for 6' bed)

All Fasteners

Typical Both Sides

Vehicle Forward

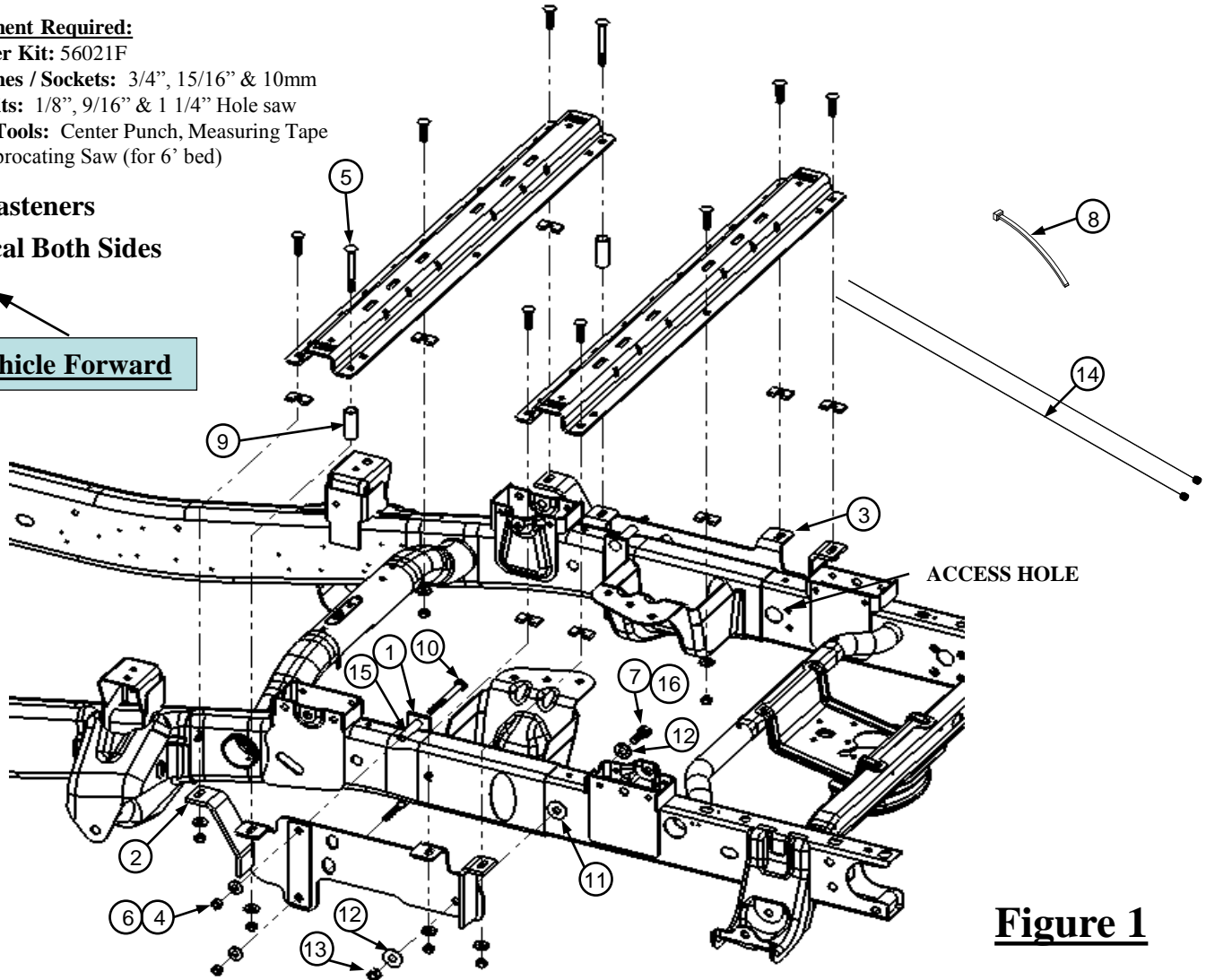


Figure 1

| ITEM | DESCRIPTION | QTY. | ITEM | DESCRIPTION | QTY |
|------|---------------------------------------|------|------|---------------------------------------|-----|
| 1 | STRAP | 2 | 9 | BUSHING 2.773" | 2 |
| 2 | DRIVER SIDE BRACKET | 1 | 10 | BOLT, CARRIAGE 1/2"-13 X 5.5" GRADE 8 | 4 |
| 3 | PASSENGER SIDE BRACKET | 1 | 11 | WASHER, FLAT 5/8" | 2 |
| 4 | WASHER CONICAL 1/2" | 4 | 12 | WASHER, CONICAL 5/8" | 4 |
| 5 | BOLT, CARRIAGE 1/2"-13 X 4.5" GRADE 8 | 2 | 13 | NUT, HEX 5/8"-11 GRADE 8 | 2 |
| 6 | NUT, HEX 1/2" - 13 GRADE 8 | 4 | 14 | WIRE PULL (5/8-11) | 2 |
| 7 | BOLT, 5/8"-11 GRADE 8 | 2 | 15 | SPACER - COLLAR | 4 |
| 8 | CABLE TIE 8.5" | 1 | 16 | BOLT, 5/8-11 X 4.5 GRADE 8 | 2 |

All of the fasteners listed to the left are supplied with this kit, all other mentioned fasteners are supplied with part number 30153.

- **Do not install mounting rails over plastic bed liners. Plastic bed liners must be cut out of the way to provide metal to metal contact. Mounting rails may be installed on spray in liners.**
- **Use only bolts, nuts, and washers supplied to install this kit. All bolts and nuts are Grade 8 unless otherwise specified.**
- **These instructions are guidelines only, actual installation is the responsibility of the installer and the owner. Always measure truck and trailer before installing hitch to be sure that there is clearance at the cab and at the bumper to allow for turns.**

Installation Instructions

1. Lower and remove spare tire if extra room is needed. Remove inner plastic wheel well liner to allow access to frame.
2. Detach the (2) electrical harness hanger plugs from the inside driver side of the frame just rear of the fuel tank.
3. (2013-18 ONLY) On 6.5' truck boxes only and using a reciprocating saw, cut off the extension attached to the truck box support beams and straddling the frame of the truck. (See Figure 2) This will ensure that the frame brackets (2) and (3) can mount to the outside of the truck frame. Note: This is not a structural part of the truck box and is only used by the manufacturer during assembly.
4. Place the rear mounting rail in the box of the truck, using your tape measure, center the rail between the weld seams on the width of the truck box floor and the proper distance from the rear edge of the truck box as shown in Figure 3.
5. Mark and center punch the holes as shown in Figure 3. Move the rail out of the way and drill each position with a 1/8" drill bit.
6. Temporarily position the frame bracket on the outside of the frame and check that the 1/8" drilled holes align with the slots of the frame bracket. Remove the frame bracket from the vehicle.
7. Enlarge the 1/8" drilled holes to 9/16". On 2019-UP trucks ONLY the 9/16" hole on the passenger side in row 2 will need to also go through the bed crossmember below the bed floor (See figure 3). Re-position frame bracket on side of frame.
8. For 2013-18 Trucks ONLY, Using 5/8" pull wire (14) install 5/8" bolt (7) through access hole on the inside of frame, place 5/8" flat washer (11) on the 5/8" bolt (7) on the outside of frame. Route the pull wire through rear hole of the frame bracket (2) (3), loosely install the 5/8" conical washer (12) and 5/8" nut (13). For 2019-Up trucks ONLY use 5/8 x 4.5" (16) bolt in place of shorter 5/8" (7) bolt. This longer bolt will pass through the frame. (See Figure 1)
9. Loosely install straps (1), carriage bolts (10), side brackets (2) (3), washers conical 1/2" (4) and nuts 1/2" (6). (See Figure 1.)
10. Move the mounting rail into position. Install the 1/2"-13 x 2 1/2" carriage bolts with the U-shaped spacer to be located in the corrugation between the box and the mounting rail or between the box and the side bracket (2) (3). **(Note the U-shaped spacer is to eliminate crushing bed corrugation.)** Attach with spacers and nuts as per the illustrations and tighten snug to keep the mounting rail from moving.
11. Place the unassembled 5th wheel saddles/slider/goose into the already installed mounting rail. Position the front mounting rail with the saddles/slider/goose by inserting the tabs into the mounting rail and pushing the mounting rail tight towards the other mounting rail. Ensure that the mounting rail is centered between the weld seams on the width of the truck box floor. This will position the mounting rail in the correct location and ensure that the 5th wheel will have a snug fit to the truck. NOTE: If more than one hitch product will be used with the rails then both should be used at the same time to align the second rail. This will ensure that one product does not compromise the fit of the other.
12. Repeat steps 6 through 8.
13. Enlarge row 2 holes in bed only to 1 1/4". (See Figure 3)
14. Install bushing (11) in to the 1 1/4" hole. Move front mounting rail into position. Install the 1/2"-13 x 4 1/2" carriage bolts (5) through rail, bushing (11), box support and side bracket (2) (3). Attach 1/2" tooth washers and 1/2" nut per the illustrations and tighten snug to keep the mounting rail from moving.
15. After fully installing the 56021 custom attachment brackets, tighten the fasteners in the following sequence. **Note: Torque all hardware to 110 ft-lbs. EXCEPT the 5/8" hardware on 2013-2018 trucks torque to 212 ft-lbs. First torque the mounting rails to the frame brackets and then torque the frame brackets to the truck frame.**
16. Secure the wire harness with the wire tie supplied (7).
17. Replace inner plastic wheel well liner to body, if removed reinstall spare tire.

2013-18 6.5' truck boxes only - cut off the extension attached to the truck box support beams.

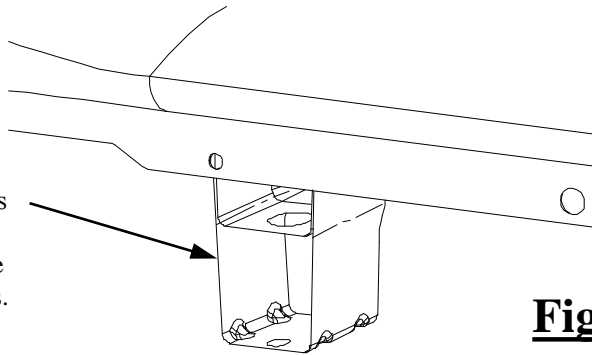


Figure 2

DIMENSIONS SPECIFIC FOR RAIL KIT 30153

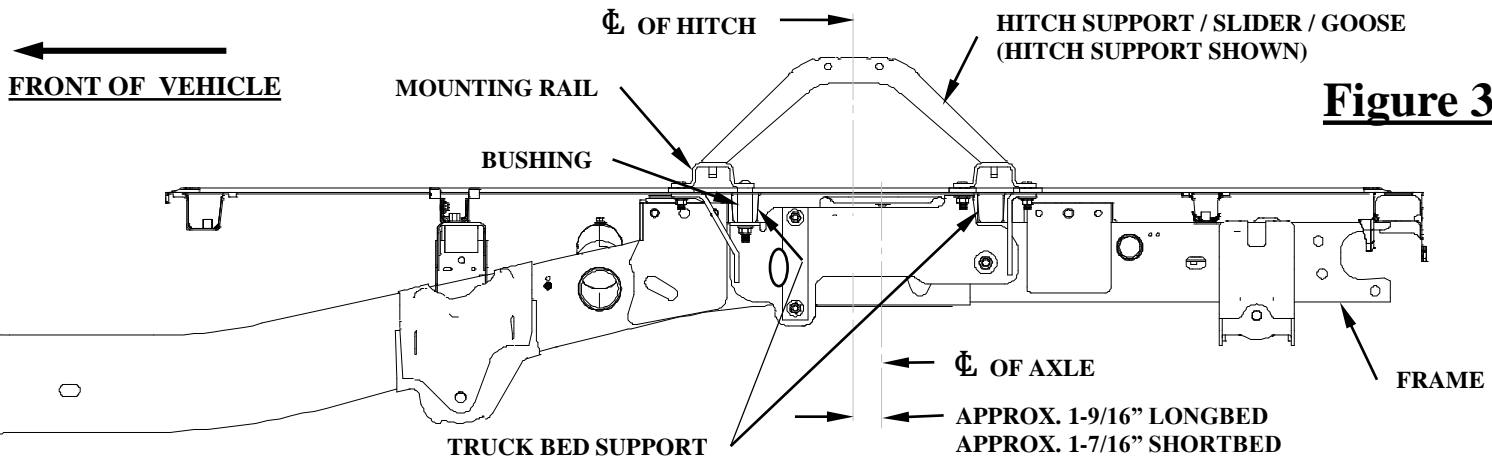
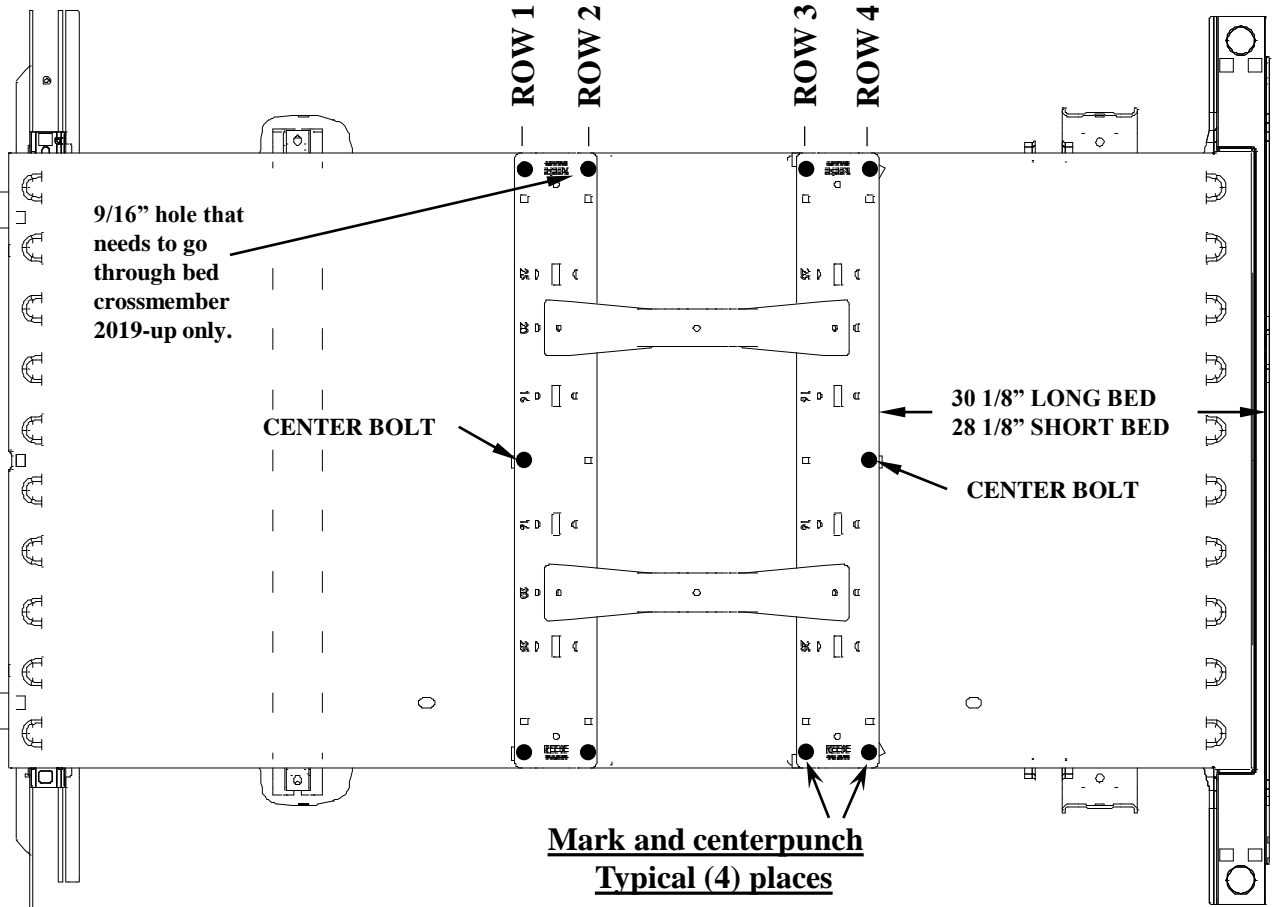


Figure 3

For Installers

For corresponding REESE® Custom Quick Install Mounting Kit part numbers as well as latest revision of installation instructions please refer to (www.REESEPROD.COM).

1. REESE® Custom quick install mounting kit for 30153 REESE® rails kit only.
2. Do not install mounting rails over plastic bed liners. Plastic bed liners must be cut out of the way. Base rails may be installed on spray in liner. **Note:** Consult installer for recommended curing time.
3. Use only CEQUENT PERFORMANCE PRODUCTS, INC. supplied bolts, nuts, and washers to install this kit. All bolts are Grade 8 hardware, unless otherwise noted.
4. See that owner receives and fills out warranty information page.
5. Provide these instructions to owner.

Owner Responsibilities

- Refer to vehicle tow rating for correct weight capacity.
- Refer to mounting bracket rating label for correct weight capacity.
- Check mounting system bolt tightness once per year.
- Save warranty sheet and receipt for any future support.

NOTES

LIMITED LIFETIME WARRANTY

Part No: _____

Date of Original Purchase: _____

Original Owner: _____

Original Installer: _____

1. Limited Lifetime Warranty (“Warranty”). Cequent Performance Products, Inc. (“We” or “Us”) warrants to the original consumer purchaser only (“You”) that the product will be free from material defects in both material and workmanship, ordinary wear and tear excepted; provided that installation and use of the product is in accordance with product instructions. There are no other warranties, express or implied, including the warranty of merchantability or fitness for a particular purpose. This warranty is not transferable.
2. Limitations on the Warranty. This Warranty does not cover: (a) normal wear and tear; (b) damage through abuse, neglect, misuse, or as a result of any accident or in any other manner; (c) damage from misapplication, overloading, or improper installation; (d) improper maintenance and repair; and (e) product alteration in any manner by anyone other than Us, with the sole exception of alterations made pursuant to product instructions and in a workmanlike manner.
3. Obligations of Purchaser. To make a Warranty claim, contact Us, at our principal address of 47912 Halyard Dr. Suite 100, Plymouth, MI 48170, 1-888-521-0510, identify the product by model number, and follow the claim instructions that will be provided. Any returned product that is replaced by Us becomes our property. You will be responsible for return shipping costs. Please retain your purchase receipt to verify date of purchase and that You are the original consumer purchaser. The product and the purchase receipt must be provided to Us in order to process Your Warranty claim.
4. Remedy Limits. Product replacement is Your sole remedy under this Warranty. We shall not be liable for service or labor charges incurred in removing or replacing a product or any incidental or consequential damages of any kind.
5. Assumption of Risk. You acknowledge and agree that any use of the product for any purpose other than the specified use(s) stated in the product instructions is at Your own risk.
6. Governing Law. This Warranty gives You specific legal rights, and You also may have other rights which vary from state to state. This Warranty is governed by the laws of the State of Michigan, without regard to rules pertaining to conflicts of law. The state courts located in Oakland County, Michigan shall have exclusive jurisdiction for any disputes relating to this Warranty.

Horizon Global
47912 Halyard Dr. Suite 100
Plymouth, MI 48170