

**COVER PAGE**  
**56023 CUSTOM QUICK INSTALL MOUNTING KIT**  
**FOR GMC/Chevy -2500/3500**

**NOTE!**

Prior to installing product, please visit one of our websites to assure your kit contains the most recent revision to installation instruction and verify vehicle application.

***[www.ReeseProducts.com](http://www.ReeseProducts.com)***

**REMARQUE!**

Avant d'installer le produit, veuillez visiter un de nos sites Web pour vous assurer que votre ensemble contient la plus récente version des instructions d'installation et vérifier l'application qui convient à votre véhicule.

***[www.ReeseProducts.com](http://www.ReeseProducts.com)***

**NOTA!**

Antes de instalar el producto, por favor visite uno de nuestros sitios web para asegurar que su equipo contiene la revisión más reciente a instrucciones de instalación y verificar la aplicación del vehículo.

***[www.ReeseProducts.com](http://www.ReeseProducts.com)***

**WARNING:** FAILURE TO FOLLOW INSTALLATION INSTRUCTIONS MAY CAUSE PROPERTY LOSS, SERIOUS INJURY, OR DEATH!

**CAUTION:** Under no circumstances do we recommend exceeding the towing vehicle manufacturers recommended vehicle towing capacity, or the lowest rated component of your system.

## READ ALL INSTRUCTIONS BEFORE STARTING THE INSTALLATION OR USE

### 10 BOLT INSTALLATION

**Equipment Required:**

**Fastener Kit:** 56023F

**Wrenches:** 3/4", 13mm, 18mm

**Drill Bits:** 1/8", 9/16"

**Other Tools:** Center Punch, Measuring Tape  
Torque Wrench

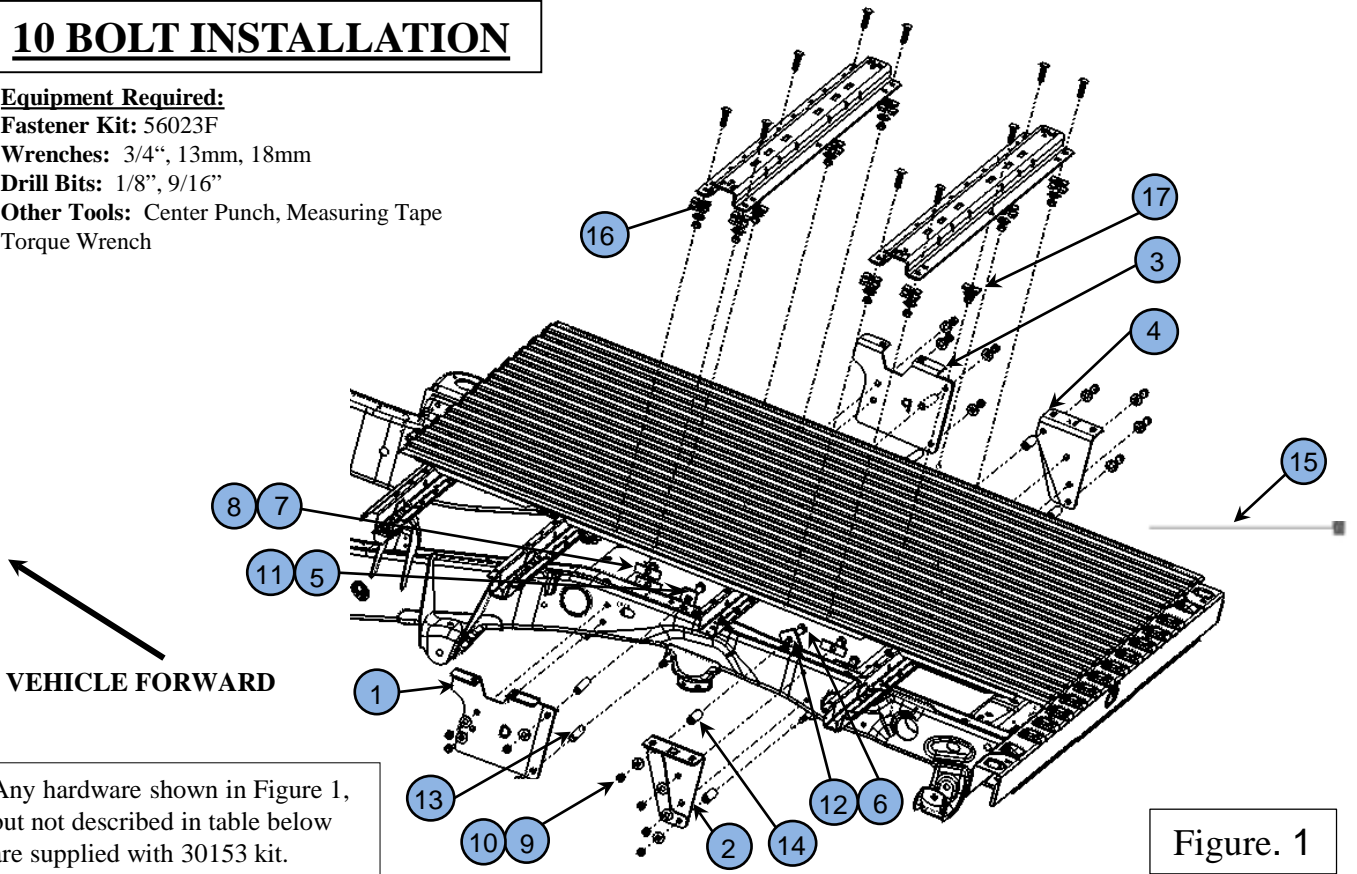


Figure. 1

#	Description	QTY	#	Description	QTY
1	Driver Side Front Frame Bracket	1	10	Nut , 1/2"-13 GR8	16
2	Driver Side Rear Frame Bracket	1	11	Carriage Bolt , 1/2"-13x5.5" GR8	4
3	Passenger Side Front Frame Bracket	1	12	Carriage Bolt, 1/2"-13x4.5" GR8	4
4	Passenger Side Rear Frame Bracket	1	13	Tube Spacer, 1/2"x3.5	4
5	Block-Inside Frame Front Mounting	2	14	Tube Spacer, 1/2"x2.5	4
6	Block-Inside Frame Rear Mounting	2	15	Pull Wire, 1/2"	8
7	Carriage Bolt, 1/2"-13x1.75" GR8	8	16	U-Shaped Block , 1/4"x1"x2"	8
8	Block - 1/4"x1"x3"	8	17	Block - 1/4"x1"x2"	8
9	Conical Washer-1/2"	18	18		

- **Do not install mounting rails over plastic bed liners. Plastic bed liners must be cut out of the way to provide metal to metal contact. Mounting rails may be installed on spray in liners.**
- **Use only bolts, nuts, and washers supplied to install this kit. All bolts and nuts are Grade 8 unless otherwise specified.**
- **These instructions are guidelines only, actual installation is the responsibility of the installer and the owner. Always measure truck and trailer before installing hitch to be sure that there is clearance at the cab and at the bumper to allow for turns.**
- **Do not install this product on or attempt to tow with a truck with a 5-1/2' bed unless a sidewinder pin box coupler has been installed on the trailer.**

1. Place the front mounting rail in the bed of the truck. Using a tape measure, center the rail on the floor of the truck bed and locate the proper distance from the rear of the rail to the back edge of truck bed as illustrated on figure (3). Choose the correct dimensions from figure (3) per Standard/Long truck bed.
2. Use a center punch to mark holes in the bed per the illustration. Move the rail out of the way and drill each position with a 1/8" drill bit. **CAUTION: When drilling holes through the bed be sure what is below the truck bed in those locations.**
3. Loosely install the Front frame brackets (1) and (3) using appropriate hardware and hand tighten. (See figures 1, 4,7) **NOTE:** If the truck has helper spring brackets, refer to additional instructions on page 8 for installing frame brackets.

**DRIVER FRONT BRACKET (1):**

A. Using two 1/2" fishwires (15) provided, install two 1/2" x 1.75 carriage bolts (7) and 1"x3" blocks (8) using slot (Inside frame holes on Driver side are blocked by fuel tank and are not accessible) on outside of the frame. Run the fishwire going in from this slot and come out of the bolt holes as shown in figure (4). Keep both fishwires on the bolt until the bracket is installed. Place the conical washer (9) on the carriage bolt and secure with nut (10).

B. Now position the Front mounting block (5) on driver side against inside of the frame. While positioning front mounting block, the brake line bracket will be in the way. Loosen the two-brake line support bracket bolts (M8) as shown in figure (5), creating enough space for mounting block to pass through, until closely aligning mounting block slots with frame bracket holes. Now install two 1/2" x 5.5 carriage bolts (11) running from inside of frame through mounting block, 1/2"x3.5 Tube Spacer (13) and frame bracket as shown in figures (1 & 4). Place the conical washer on the carriage bolt and secure with the nut. Fasten the brake line bracket bolts.

**PASSENGER FRONT BRACKET (3):**

C. Following the similar procedure as on the driver's side, using two 1/2" fishwires provided, install two 1/2" x 1.75 carriage bolts (7) and 1"x3" blocks (8) using larger top hole on inside of frame as shown in figure (8). Run the fishwire from this hole and coming out of the carriage bolt hole. Place the conical washer and secure with the nut.

D. Now position the front mounting block on passenger side (5) against inside of the frame aligning slots with frame bracket holes. Install two 1/2" x 5.5 carriage bolts (11) running from inside of frame through mounting block, 1/2"x3.5 Tube Spacer (13) and frame bracket as shown in figures (1 & 7). Place the conical washer on the carriage bolt and secure with the nut.

4. **STOP! and** Check the 1/8" holes drilled in step 2 align with the frame bracket holes. If holes do not align, restart the installation at step 2 by adjusting 1/8" holes in bed of truck. When holes align with the brackets, remove the brackets and enlarge all the 1/8" holes for forward rail in the bed to 9/16" for 1/2" carriage bolts.

5. Replace the mounting frame brackets as described in step 3.
6. Reposition the front mount rail over the enlarged holes. Install the front rail using carriage bolts supplied in 30153 kit. Ensure 5/16" U-shaped spacer supplied in 30153 kit and 1/4" U-shaped spacer supplied in 56023 kit are installed as shown in figures (2.a and 2.b). Attach the 1/2" conical washers and hex nuts on bottom side of the frame brackets (1) and (3). Install center bolt using the supplied 1"x2" block (17) on bottom side of bed floor. Hand tighten all fasteners.
7. **NOTE:** If the truck has helper spring brackets, refer to additional instructions on page 8 for installing frame brackets.
8. Loosely install the Rear frame brackets (2) and (4) using appropriate hardware and hand tighten. (See figures 1,4,7)  
**DRIVER REAR BRACKET (2):**
  - A. Using two 1/2" fishwires provided, install two 1/2" x 1.75 carriage bolts (7) and 1"x3" blocks (8) using larger top hole on inside of frame as shown in the figure (6). Run the fishwire from this hole and come out of the bolt holes. Place the conical washer (9) on the carriage bolt and secure with nut (10).
  - B. Now position the rear mounting block (6) against inside of the frame. Rear mounting blocks will be tilted in position. While positioning rear mounting block, wire harness will be coming in the way. Remove the wire harness retainers (tree style) with appropriate tool from the frame as shown in figure (6). Now install two 1/2" x 4.5 carriage bolts (12) running from inside of frame through rear mounting block, 1/2"x2.5 Tube Spacer (14) and frame bracket as shown in figure (7). Place the conical washer on the carriage bolt and secure with the nut.**PASSENGER REAR BRACKET (4):**
  - C. Following the similar procedure as on the driver's side, using two 1/2" fishwires provided, install two 1/2" x 1.75 carriage bolts (7) and 1"x3" blocks (8) using larger top hole on inside of frame as shown in the figure (9). Run the fishwire from this hole and come out of the carriage bolt hole. Place the conical washer and secure with the nut.
  - D. Position the rear mounting block (6) against inside of the frame aligning slots with frame bracket holes. Now install two 1/2" x 4.5 carriage bolts (12) running from inside of frame through the mounting block, 1/2"x2.5 Tube Spacer (14) and frame bracket as shown in figure (7). Place the conical washer on the carriage bolt and secure with the nut.
9. Place the unassembled 5th wheel support arches/slider/goose into the already installed front mounting rail. Position the rearward mounting rail with the support arches/slider/goose by inserting the tabs into the mounting rail and pushing the mounting rail tight towards the other mounting rail. Ensure that the mounting rail is centered on the bed of the vehicle. This will position the rail in the correct location and ensure that the 5th wheel will have a snug fit to the truck. Note: If more than one hitch product will be used with the mounting rails both types should be used at the same time to align the mounting rails. This will ensure that one product does not compromise the fit of the other.
10. Mark and center punch the holes in rear mounting rail as per figure (3). Move the rear rail out of the way and drill with a 1/8" drill bit. **CAUTION: When drilling holes through the bed be sure what is below the truck bed in those locations.**
11. Follow steps 4, 5, 6 from the front mounting rail and install rear mounting rail.
12. Hardware: Tighten first REESE bed rails to mounting brackets and then mounting brackets to truck frame. Torque all 1/2" Gr. 8 hardware to 110 ft-lbs. (149 N\*M).

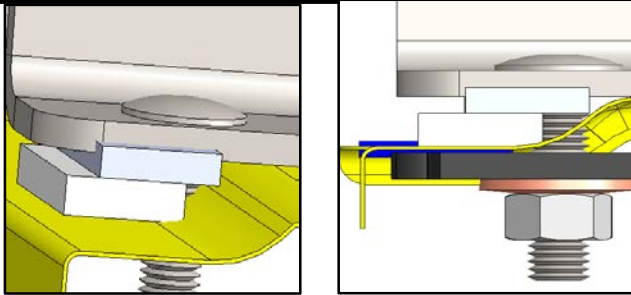
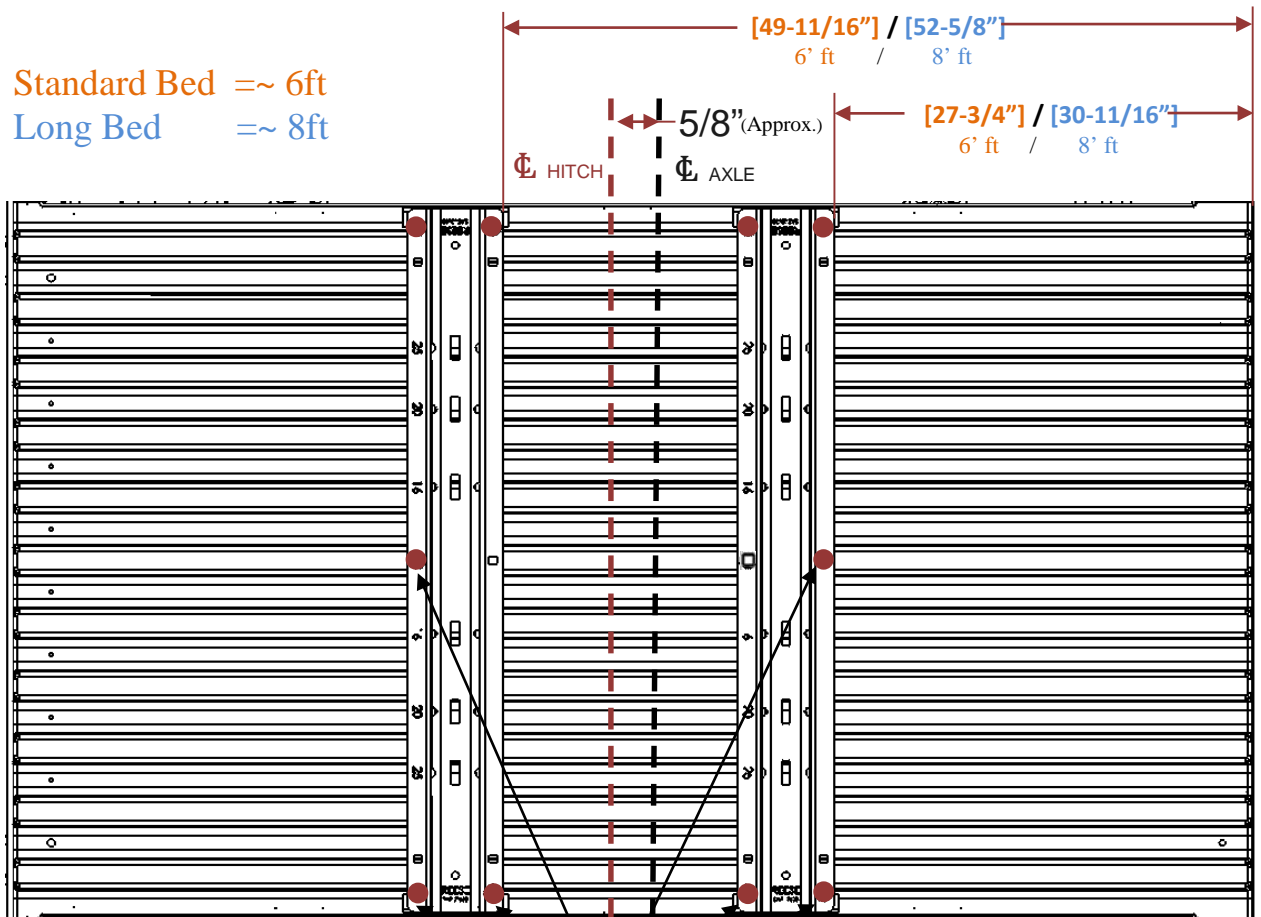


Figure 2.a

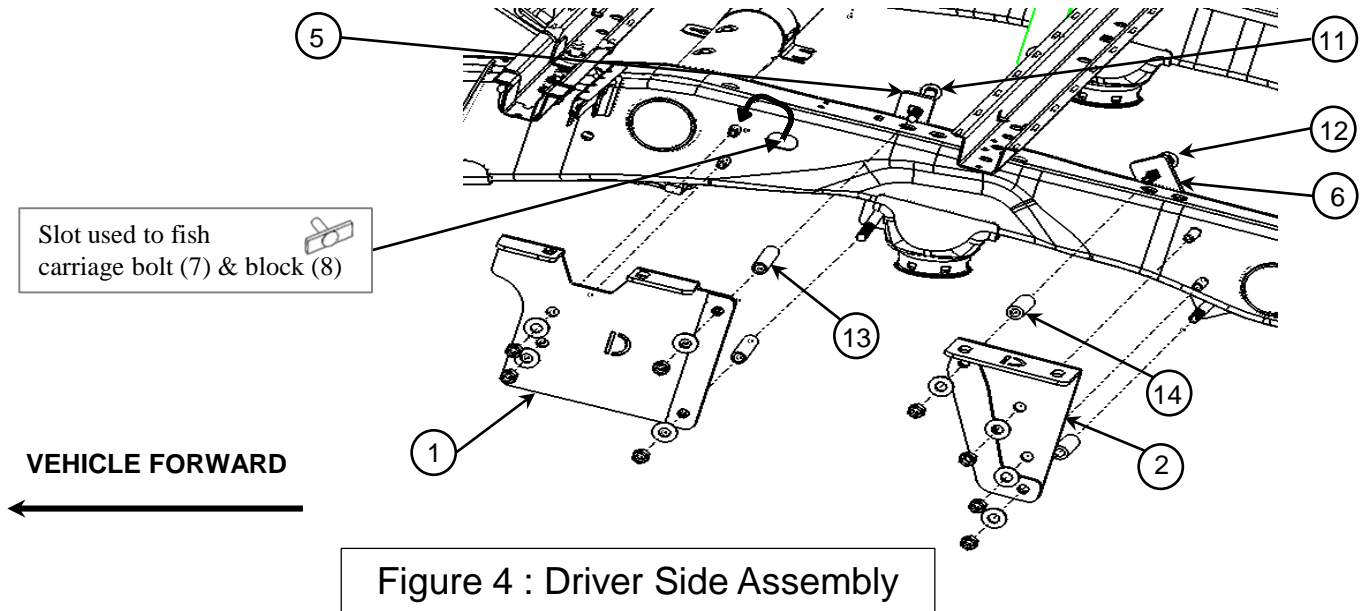
Figure 2.b

- Overlap the spacers as shown to overcome bed corrugation transitions and better contact.
- Total thickness of spacers  $5/16'' + 1/4''$  is slightly greater than the bed corrugation height. Meaning the rails may not sit flat on the bed corrugation. This is allowable.

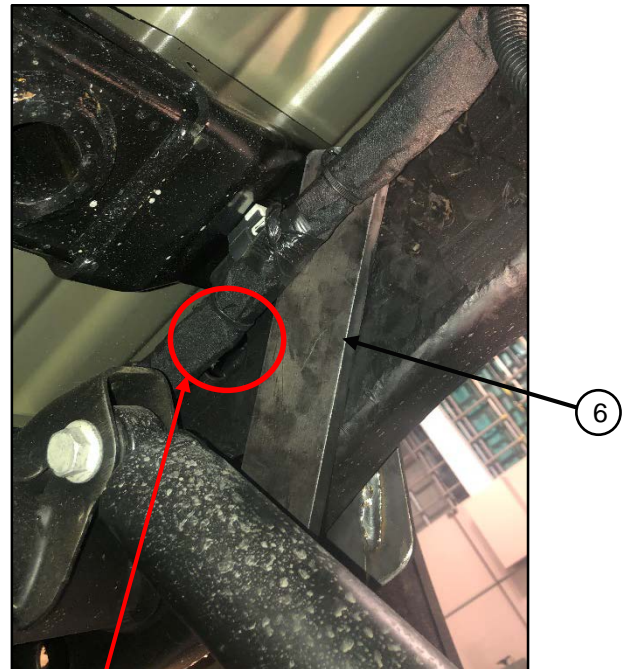
Standard Bed  $\approx 6\text{ft}$   
Long Bed  $\approx 8\text{ft}$







5  
Figure 5: Driver Side Front  
Loosen the 2-brake line support bracket bolts (M8), creating space for mounting block to pass through.



6  
Figure 6: Driver Side Rear  
Remove the harness retainers from the frame and use the hole behind harness as shown for fishing fasteners (7) & (8).

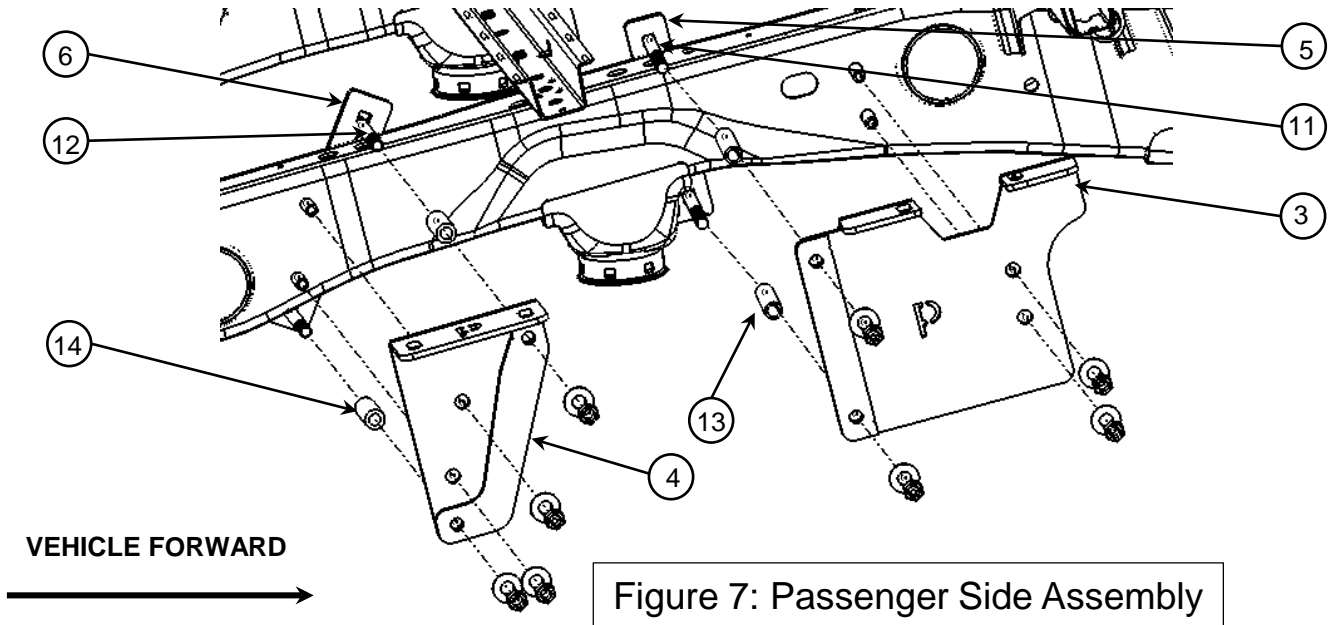


Figure 8: Passenger Side Front  
Use the hole shown above for fishing Carriage bolt (7) and block (8).



Figure 9: Passenger Side Rear  
Use the larger top hole shown above for fishing Carriage bolt (7) and block (8).

Additional Installation Instructions for truck with helper spring brackets:

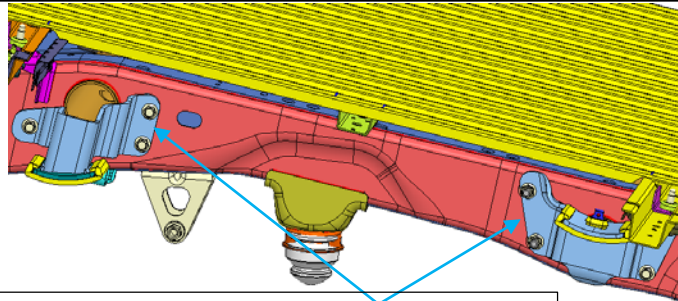


Figure 10: Driver Side with helper spring brackets

#### Front Side – Driver and Passenger Frame Brackets:

A. Remove the front helper spring brackets on both driver and passenger side by removing M12 bolts. Then follow steps 3 to 6, but in step 3.A and 3.C, after positioning front frame bracket, place the front helper spring bracket removed earlier back on top of it and re-install the factory M12 bolts, (Attach a spacer block-1"x2" (17) for front bolt ) to secure from outside. Refer to figures (11 and 13).

#### Rear Side – Driver and Passenger Frame Brackets:

A. Remove the rear helper spring brackets on both driver and passenger side by removing M12 bolts. Then follow steps 7 to 11, but in step 7.A and 7.C, fish the carriage bolts (7) and blocks (8) first from inside at 4 places as shown in figures (12 and 13). Place two spacer blocks -1"x2" (17) on rear two bolts and then place frame brackets followed by helper spring bracket removed earlier passing through carriage bolts (7) as shown in figures (12 & 13). Place conical washer (9) and secure with nut (10), and re-install the factory M12 bolts removed earlier. (Attach a spacer block-1"x2" (17) for rear bolts) Refer to figures (12 and 13).

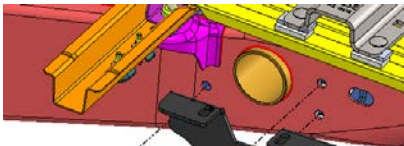


Figure 11: Front Assembly

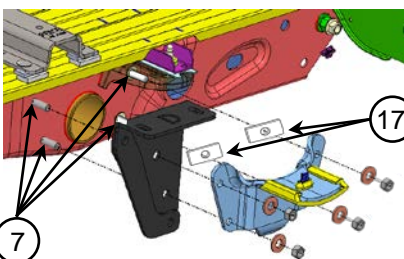


Figure 12: Rear Assembly

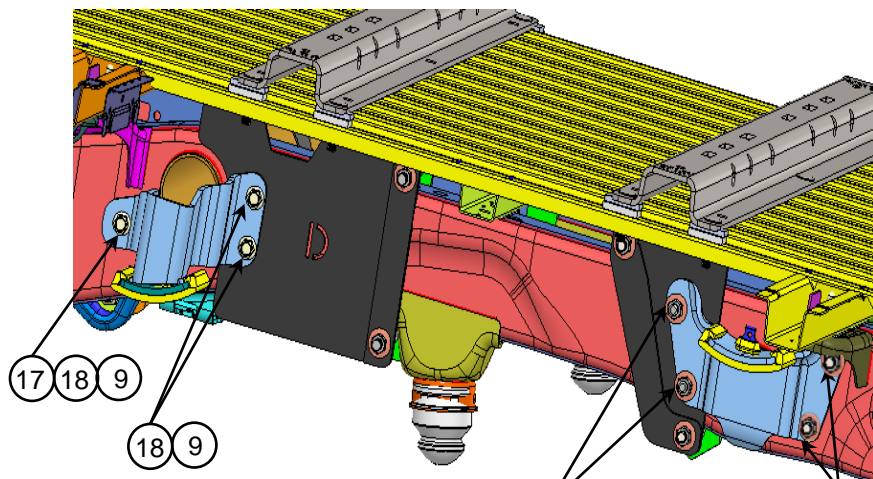


Figure 13: Driver Side Assembly

9 Fishing required on 4-bolts from inside





# Installation Instructions

**Part Number:**

## REESE® CUSTOM QUICK INSTALL MOUNTING KIT

**56023**

### FOR 30153 REESE® RAILS ONLY

**GMC/Chevy 2500/3500 Pickup \*See website applicable years & models**

#### LIMITED LIFETIME WARRANTY

Horizon Global Corporation. ("We" or "Us") warrants to the original consumer purchaser only ("You") that the product will be free from material defects in both material and workmanship, ordinary wear and tear expected; provided that installation and use of the product is in accordance with product instructions. There are no other warranties, express or implied, including the warranty of merchantability or fitness for a particular purpose. This warranty is not transferable.

This warranty does not cover: (a) normal wear and tear; (b) damage through abuse, neglect, misuse, or as a result of any accident or in any other manner; (c) damage from misapplication, overloading, or improper installation; (d) improper maintenance and repair; and (e) product alteration in any manner by anyone other than Us, with the sole exception of alterations made pursuant to product instructions and in a workmanlike manner.

To make a Warranty claim, contact Us, at our principal address of 47912 Halyard Dr. Suite 100, Plymouth, MI 48170, 1-800-632-3290, identify the product by model number, and follow the claim instructions that will be provided. Any returned product that is replaced by Us becomes our property. You will be responsible for return shipping costs. Please retain your purchase receipt to verify date of purchase and that You are the original consumer purchaser. The product and the purchase receipt must be provided to Us in order to process Your Warranty claim.

Product replacement is your sole remedy under this Warranty. We shall not be liable for service or labor charges incurred in removing or replacing a product or any incidental or consequential damages of any kind.

You acknowledge and agree that any use of the product for any purpose other than the specified use(s) stated in the product instructions is at Your own risk.

This Warranty gives you specific legal rights, and You may also have other rights which vary from state to state. This Warranty is governed by the laws of the State of Michigan, without regard to rules pertaining to conflicts of law. The state courts located in Oakland County, Michigan shall have exclusive jurisdiction for any disputes relating to this warranty.

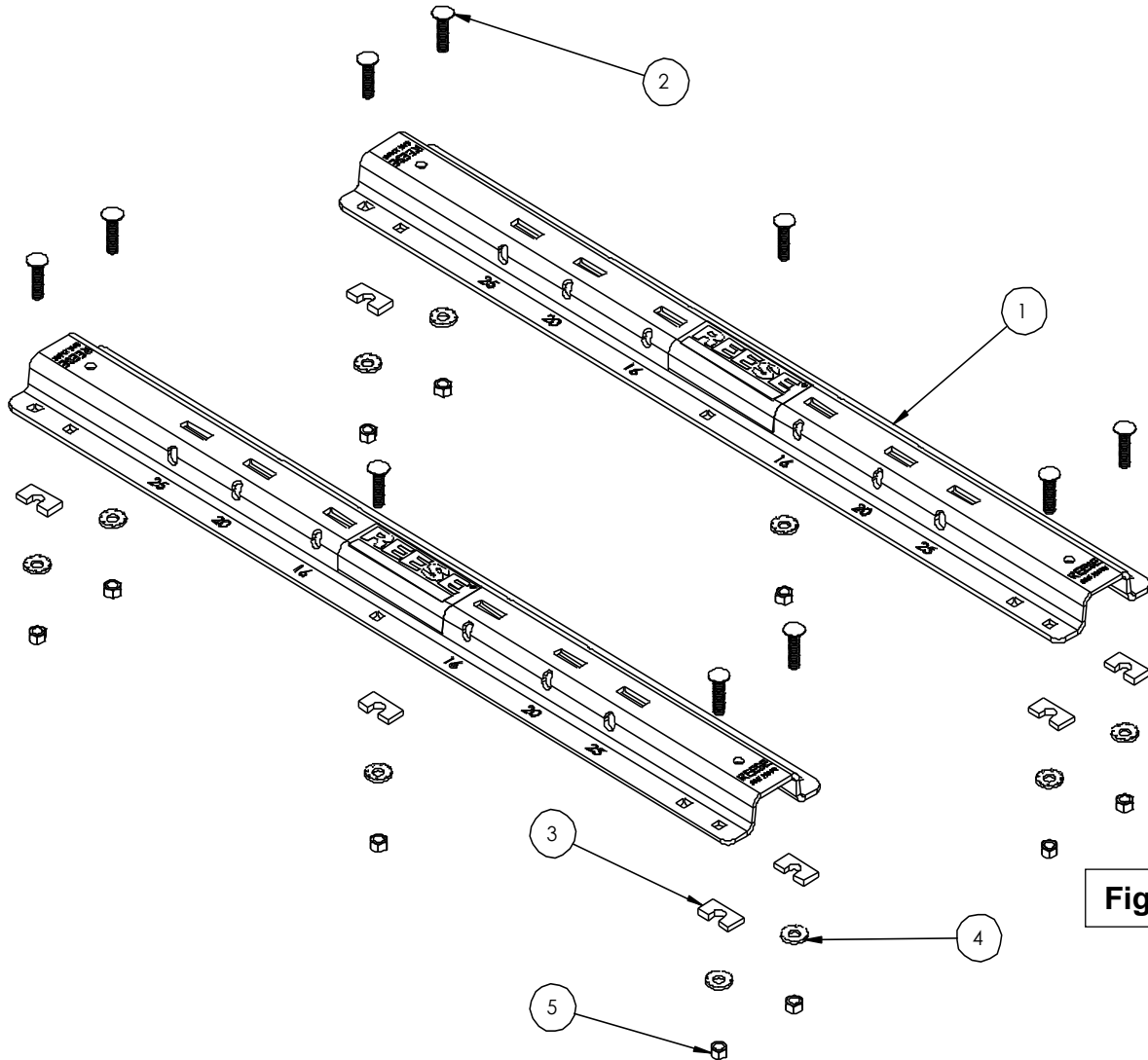
**For the most up to date product  
instructions, installation and use  
information please scan the QR  
code or call  
1-800-632-3290**



Horizon Global  
47912 Halyard Dr. Suite 100  
Plymouth, MI 48170

# INSTRUCTIONS

## REESE RAIL MOUNTING KIT #30153 PREMIUM-OUTBOARD MOUNTING SYSTEM SAE J2638 RATED



**Fig. 1**

<b>BASERAILS</b>	<b>QTY.</b>
1. REESE BASERAIL	(2)
2. 1/2" X 2" GR. 8 CARRIAGE BOLT	(10)
3. TRUCK BED SPACER	(10)
4. 1/2" CONICAL TOOTHED WASHER	(10)
5. 1/2" NUT	(10)

### REESE PREMIUM FEATURES

- Kit must be mounted with REESE Series Custom mounting kits (part # 56000 series only) which are mounted outboard, allowing for fast easy installations
- Meets latest North American testing standards, SAE J2638
- Grade 8 hardware, meets all North American requirements for commercial & recreational towing

For Installation Assistance or Technical Help, Call 1-888-521-0510

Printed in XXX

The following information is an overview of the installation of a fifth wheel above bed mounting kit, and meant as supplemental information only. For detailed instructions refer to the instructions given with the corresponding REESE Series Custom mounting kits (part # 56000 series only). Check parts supplied in kit against parts list (Fig 1) to become familiar with parts in this kit.

## **For Installers**

For corresponding Custom Quick Install Mounting Kit part number as well as latest revision of installation instructions please refer to ([www.REESEPROD.COM](http://www.REESEPROD.COM)).

1. Do not install mounting rails over plastic bed liners. Plastic bed liners must be cut out of the way. Base rails may be installed on spray in liner. **Note:** Consult installer for recommended curing time.
2. Use only CEQUENT PERFORMANCE PRODUCTS, INC. supplied bolts, nuts, and washers to install this kit. All bolts are Grade 8 hardware.
3. See that owner receives and fills out warranty information page.

## **Owner Responsibilities**

- Refer to rail label and rail markings for correct weight capacity
- Check mounting system bolt tightness once per year
- Save warranty sheet and receipt for any future support

## **LIMITED LIFETIME WARRANTY**

**Part No:** \_\_\_\_\_

**Date of Original Purchase:** \_\_\_\_\_

**Original Owner:** \_\_\_\_\_

**Original Installer:** \_\_\_\_\_

1. Limited Lifetime Warranty ("Warranty"). Cequent Performance Products, Inc. ("We" or "Us") warrants to the original consumer purchaser only ("You") that the product will be free from material defects in both material and workmanship, ordinary wear and tear excepted; provided that installation and use of the product is in accordance with product instructions. There are no other warranties, express or implied, including the warranty of merchantability or fitness for a particular purpose. This warranty is not transferable.

2. Limitations on the Warranty. This Warranty does not cover: (a) normal wear and tear; (b) damage through abuse, neglect, misuse, or as a result of any accident or in any other manner; (c) damage from misapplication, overloading, or improper installation; (d) improper maintenance and repair; and (e) product alteration in any manner by anyone other than Us, with the sole exception of alterations made pursuant to product instructions and in a workmanlike manner.

3. Obligations of Purchaser. To make a Warranty claim, contact Us, at our principal address of 47912 Halyard Dr. Suite 100, Plymouth, MI 48170, 1-888-521-0510, identify the product by model number, and follow the claim instructions that will be provided. Any returned product that is replaced by Us becomes our property. You will be responsible for return shipping costs. Please retain your purchase receipt to verify date of purchase and that You are the original consumer purchaser. The product and the purchase receipt must be provided to Us in order to process Your Warranty claim.

4. Remedy Limits. Product replacement is Your sole remedy under this Warranty. We shall not be liable for service or labor charges incurred in removing or replacing a product or any incidental or consequential damages of any kind.

5. Assumption of Risk. You acknowledge and agree that any use of the product for any purpose other than the specified use(s) stated in the product instructions is at Your own risk.

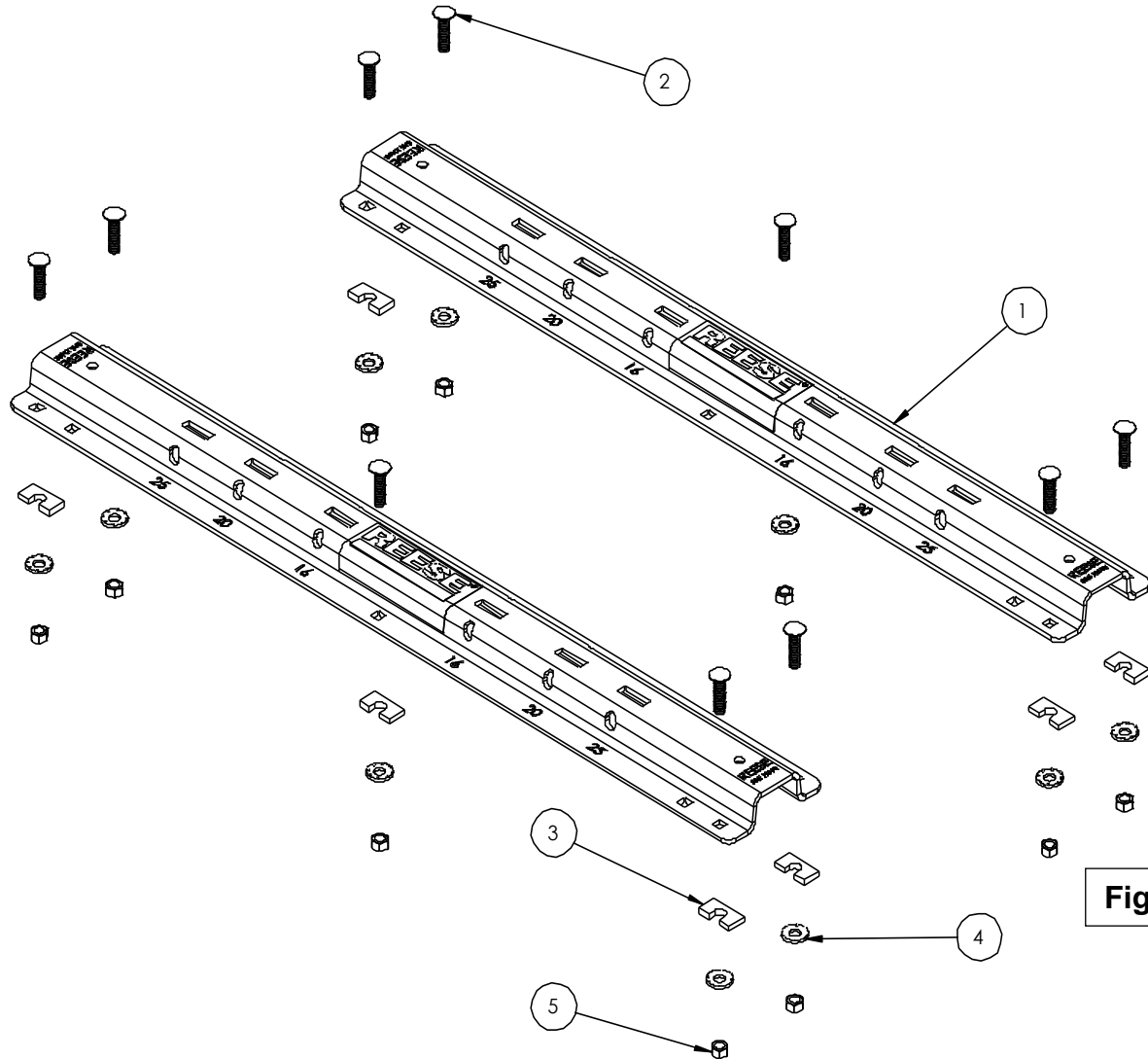
6. Governing Law. This Warranty gives You specific legal rights, and You also may have other rights which vary from state to state. This Warranty is governed by the laws of the State of Michigan, without regard to rules pertaining to conflicts of law. The state courts located in Oakland County, Michigan shall have exclusive jurisdiction for any disputes relating to this Warranty.

Cequent Performance Products, Inc.  
47912 Halyard Dr. Suite 100  
Plymouth, MI 48170

Printed in XXX

# INSTRUCCIONES

## KIT DE MONTAJE DE LARGUEROS REESE # 30153 SISTEMA PREMIUM DE MONTAJE EXTERNO- SAE J2638 CALIFICADO



**Fig. 1**

### LARGUEROS BASE

	<u>CANT.</u>
1. LARGUERO BASE REESE	(2)
2. PERNO DE CARRUAJE , 1/2 "X 2" GR. 8	(10)
3. ESPACIADOR PARA LA BASE DEL VEHÍCULO	(10)
4. ARANDELA CÓNICA DENTADA , 1/2"	(10)
5. TUERCA, 1/2"	(10)

### CARACTERÍSTICAS DE REESE PREMIUM

- El Kit debe ser instalado con los kits de montaje a la medida de la serie REESE (parte # 56000 de la serie únicamente) que se montan desde el exterior, lo que permite una instalación fácil y rápida
- Cumple con las últimas normas de prueba norteamericanas SAE J2638
- Las piezas Grado 8 cumplen todos los requisitos para América del Norte para remolque comercial y recreacional

Para asistencia con la instalación o ayuda técnica, llame al 1-888-521-0510

Printed in XXX



La siguiente información es un resumen de la instalación de una quinta rueda por encima del kit de montaje de la base, cuya finalidad es sólo como información complementaria. Para obtener instrucciones detalladas, consulte las instrucciones entregadas con los kits para montaje a la medida de la serie Reese correspondientes (parte # 56000 de la serie únicamente). Revise las partes suministradas contra la lista de partes (Fig. 1) para familiarizarse con las partes de este kit.

## **Para los instaladores**

Para el número de parte del kit correspondiente de montaje de instalación rápida a la medida así como para la última revisión de las instrucciones de instalación, consulte ([www.REESEPROD.COM](http://www.REESEPROD.COM)).

1. No instale largueros de montaje sobre los forros plásticos de la base. Los forros plásticos de la base se deben recortar para despejar el camino. Los largueros base se pueden instalar sobre el forro aplicado con rociador.

**Nota:** Consulte con el instalador para las recomendaciones de tiempo de curado.

2. Use únicamente los pernos, tuercas y arandelas suministrados por CEQUENT PERFORMANCE PRODUCTS, Inc. para instalar este kit. Todos los tornillos son grado 8.

3. Verifique que el propietario reciba y llene la página de información de la garantía.

## **Responsabilidades del propietario**

- Consulte la etiqueta de los largueros y las marcas en los largueros para la capacidad de peso correcto
- Revise la firmeza de los pernos del sistema de montaje una vez al año
- Guarde la garantía y el recibo para cualquier referencia futura

## **GARANTÍA LIMITADA DE POR VIDA**

**Número de parte:** \_\_\_\_\_ **Fecha de compra original :** \_\_\_\_\_

**Propietario original :** \_\_\_\_\_ **Instalador original:** \_\_\_\_\_

1. GARANTÍA DE POR VIDA LIMITADA (Garantía) Cequent Performance Products, Inc. ("Nosotros" o "Nuestro") garantiza al comprador minorista original únicamente ("usted") que el producto estará libre de defectos materiales y de mano de obra, con la excepción del uso y desgaste habitual, siempre y cuando la instalación y el uso del producto esté de acuerdo con las instrucciones del producto. No existen otras garantías, expresas o implícitas, incluida la garantía de comerciabilidad o idoneidad para un propósito en particular. Esta garantía no es transferible.

2. Limitaciones de la garantía. Esta garantía limitada no cubre lo siguiente: (a) desgaste normal y habitual; (b) daño por abuso, negligencia, mal uso, o como resultado de cualquier accidente o de cualquier otra manera; (c) daño por aplicación o instalación incorrectas o sobrecarga; (d) mantenimiento y reparación incorrectos; y (e) alteración del producto de cualquier manera por alguien que no seamos nosotros, con la única excepción de alteraciones realizadas de acuerdo con las instrucciones del producto y de una manera profesional.

3. Obligaciones del comprador. Para hacer una reclamación de garantía, contáctenos en nuestra dirección principal en 47912 Halyard Dr. Suite 100, Plymouth, MI 48170, 1-888-521-0510, identifique el producto por número de modelo y siga las instrucciones que se le darán para la reclamación. Cualquier producto devuelto que se reemplace o se reembolse se convierte en propiedad nuestra. Usted será responsable por los costos de envío del producto. Conserve el recibo de compra para verificar la fecha de compra y que usted es el comprador original. Nos debe entregar el producto y el recibo de compra para procesar su reclamo de garantía.

4. Límites de compensación. La sustitución del producto es su único recurso bajo esta garantía. No seremos responsables por el servicio o cargos de mano de obra en los que se incurra al quitar o reemplazar un producto o cualquier daño de cualquier tipo.

5. Riesgo asumido Usted reconoce y acepta que cualquier uso del producto para cualquier propósito diferente al uso(s) especificado(s) en las instrucciones del producto es a su propio riesgo.

6. Ley gobernante. Esta garantía le otorga derechos legales. Usted también podría tener otros derechos que varían de estado a estado. Esta garantía está regida por las leyes del estado de Michigan, sin importar las normas relativas a conflictos de Las cortes estatales ubicadas en el condado de Oakland, Michigan tendrán la jurisdicción exclusiva para cualquier disputa que surja con respecto a esta garantía.

Cequent Performance Products, Inc.  
47912 Halyard Dr. Suite 100  
Plymouth, MI 48170

Printed in XXX

# INSTRUCTIONS

## ENSEMBLE DE TRAVERSES DE MONTAGE REESE No 30153 SYSTÈME DE MONTAGE EXTERNE HAUT DE GAMME HOMOLOGUÉ SAE J2638

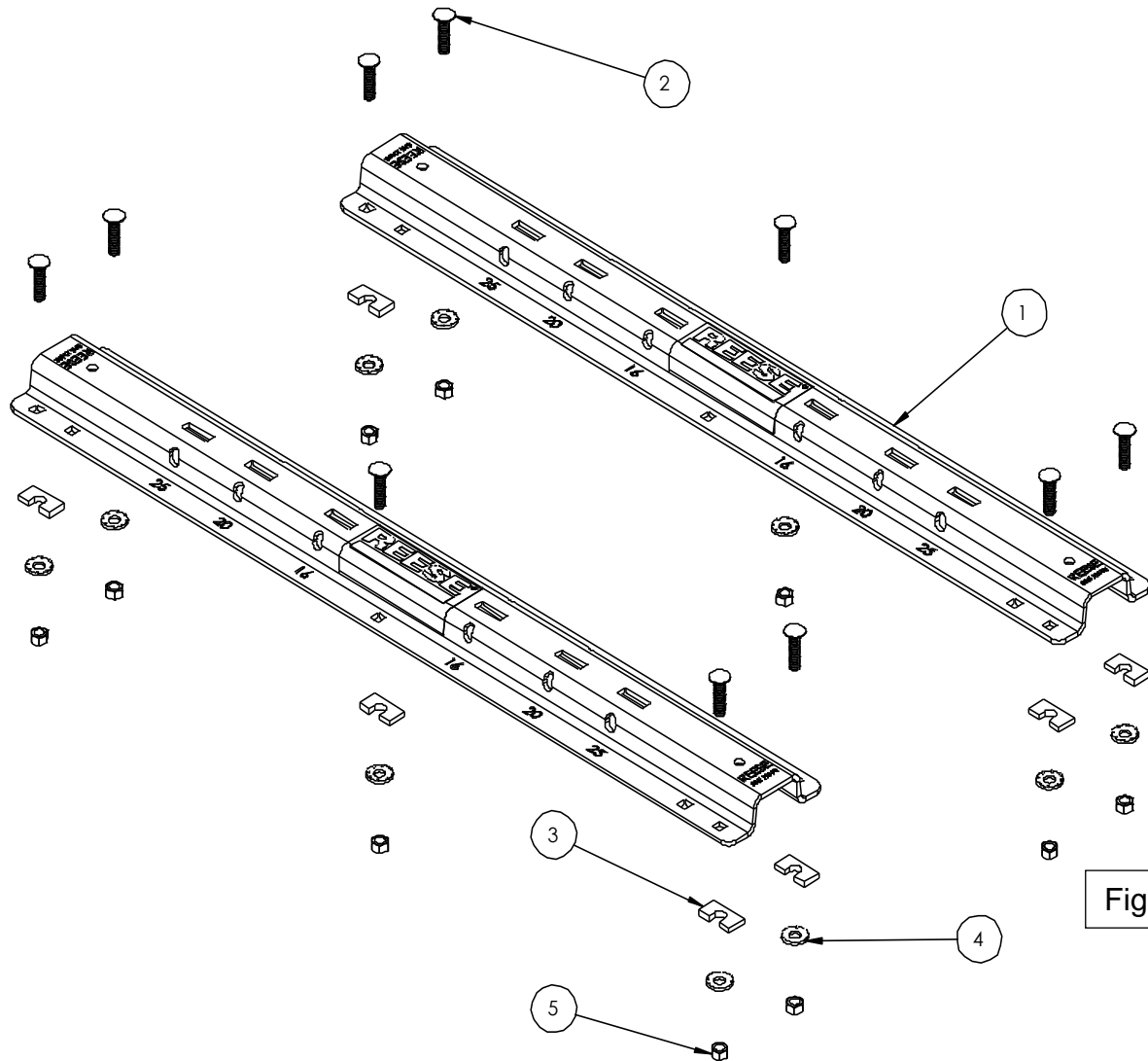


Fig. 1

TRAVERSES	QTÉ
1. TRAVERSE REESE	(2)
2. BOULON DE CARROSSERIE 1/2" x 2" GR. 8	(10)
3. ESPACEUR (PLATEFORME CAMIONNETTE)	(10)
4. RONDELLE CONIQUE DENTÉE 1/2"	(10)
5. ÉCROU 1/2"	(10)

### CARACTÉRISTIQUES DE QUALITÉ SUPÉRIEURE REESE

• L'ensemble de traverses doit être assemblé à l'aide des nécessaires de montage Series Custom REESE (série no 56000 seulement) montés à l'extérieur, conçus pour faciliter et accélérer les installations.

• Notre système est conforme à la norme d'essai nord-américaine la plus récente (SAE J2638).

• Boulonnerie de classe 8 qui répond aux normes nord-américaines en ce qui a trait au remorquage commercial et récréatif.

Pour obtenir de l'assistance pour l'installation ou un autre aspect technique, composer le 1-888-521-0510

Printed in XXX

Les renseignements suivants consistent en une vue d'ensemble de l'installation d'un attelage à sellette au-dessus du système de montage sur plateforme et ne sont fournis qu'à titre d'information complémentaire seulement. Pour des directives détaillées, se reporter aux instructions fournies avec les nécessaires de montage correspondants de marque REESE Series Custom (série no 56000 seulement). Comparer les pièces incluses dans le nécessaire à la liste des pièces (Fig. 1) afin de se familiariser avec les composants du système.

## Installateurs

Pour obtenir le numéro de pièce du *nécessaire de montage rapide* et la dernière version des instructions d'installation, veuillez vous reporter à ([www.REESEPROD.COM](http://www.REESEPROD.COM)).

1. Ne pas installer les traverses sur la doublure de caisse en plastique. La doublure de caisse en plastique doit être découpée pour libérer l'accès. Les traverses peuvent être installées sur une doublure pulvérisée en place.  
Nota : Consulter l'installateur pour connaître le temps de durcissement recommandé.
2. Utiliser seulement les boulons, écrous et rondelles fournis par CEQUENT PERFORMANCE PRODUCTS, Inc. pour installer ce produit. Tous les boulons et les écrous sont de classe 8 (Grade).
3. S'assurer que le propriétaire a bien reçu et rempli la page de renseignements sur la garantie.

## Responsabilités du propriétaire

- Se reporter à l'étiquette et aux inscriptions sur les traverses pour connaître la capacité de charge exacte.
- Vérifier le serrage des boulons du système de montage une fois par année
- Conserver la fiche de la garantie et la preuve d'achat en cas de besoin d'assistance.

## GARANTIE À VIE LIMITÉE

No pièce : \_\_\_\_\_

Date de l'achat initial : \_\_\_\_\_

Propriétaire initial : \_\_\_\_\_

Installateur initial : \_\_\_\_\_

1. Garantie à vie limitée (« Garantie »). Cequent Performance Products, Inc. (« Nous ») garantit à l'acheteur initial seulement (« Vous ») que le produit sera exempt de vices de matières et de fabrication, exception faite de l'usure normale, dans la mesure où l'installation et l'utilisation du produit sont conformes aux instructions accompagnant celui-ci. Aucune autre garantie, expresse ou implicite, ne s'applique, y compris les garanties relatives à la qualité marchande ou à l'adéquation à un usage particulier. Cette garantie n'est pas transférable.

2. Limites de la garantie. Cette garantie ne couvre pas : (a) l'usure normale; (b) les dommages causés par l'abus, la négligence, une mauvaise utilisation, ou résultant de tout accident survenu de quelque manière que ce soit; (c) les dommages causés par une application inappropriée, une charge excessive ou une installation inadéquate; (d) un entretien ou une réparation inadéquate; (e) un produit modifié de quelque manière que ce soit par quiconque d'autre que Nous, à l'exception des modifications stipulées dans les instructions accompagnant le produit et réalisées selon les règles de l'art.

3. Obligations de l'acheteur. Pour effectuer une réclamation, communiquez avec nous à notre adresse principale, 47912 Halyard Dr. Suite 100, Plymouth, MI 48170, 1-888-521-0510, et veuillez identifier le produit d'après le numéro de modèle et suivre les directives qui vous seront fournies. Tout produit retourné qui est remplacé par Nous devient notre propriété. Vous serez tenu d'assumer les frais d'expédition de retour. Veuillez conserver votre reçu d'achat afin que nous puissions en vérifier la date et confirmer que Vous êtes l'acheteur initial. Le produit et le reçu d'achat doivent Nous être fournis afin que nous puissions traiter Votre réclamation.

4. Limites des recours. Le remplacement du produit est Votre seul recours en vertu de cette Garantie. Nous ne sommes pas responsables des frais de service ou de main-d'oeuvre encourus pour l'enlèvement ou la réinstallation d'un produit, ni des dommages accessoires ou indirects, quels qu'ils soient.

5. Acceptation des risques. Vous reconnaissez et acceptez que toute utilisation du produit à des fins autres que celle(s) stipulée(s) dans les instructions relatives au produit est faite à vos propres risques.

6. Loi applicable. Cette Garantie Vous confère des droits légaux spécifiques, et il se peut que Vous possédiez d'autres droits qui peuvent varier d'une province à l'autre. Cette Garantie est régie par les lois de l'État du Michigan, abstraction faite des règles relatives aux conflits de lois. Les cours de l'État situés dans le comté d'Oakland, Michigan, constituent les autorités judiciaires exclusives relativement à tout litige relevant de cette Garantie.

Cequent Performance Products, Inc.  
47912 Halyard Dr. Suite 100  
Plymouth, MI 48170

Printed in XXX