

FF550SDH**FORD**
Front suspension package
Ensemble pour suspension avant
Ensemble para suspensión de delantero

Ref. = Reference = No. de référence = Núm. de referencia
Part = Part #. = No. de pièce = Núm. de pieza
Qty. = Quantity = Quantité = Cantidad

INSTALLATION INSTRUCTIONS

- Raise vehicle allowing the axle to hang freely.
- Remove existing bump stop assembly.
- Use rubber washer #4 and bolt #1 to achieve desired ride height.
- Place bolt 1 or 2 into weldment 3.
- Smaller disc of item 3 to go up to frame.
- Mount weldment 3 using bolt 2.
- Mount Aeon spring 5 using bolt 1 or 2.
- Lower vehicle.

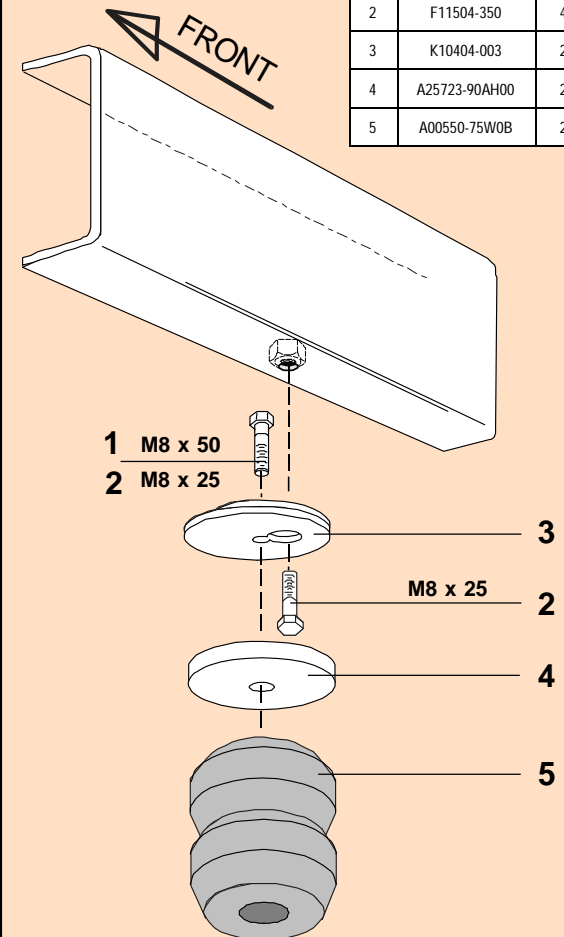
INSTRUCTIONS DE MONTAGE

- Soulever le véhicule de sorte que l'essieu soit dégagé.
- Retirer l'assemblage de la butée de suspension existante.
- Utiliser la rondelle en caoutchouc no 4 et fixer à l'aide de boulons la rondelle en caoutchouc no 1 pour obtenir le niveau du véhicule désiré.
- Placez le boulon no.1 ou no.2 dans l'ensemble de pièces soudées no.3.
- Le petit diamètre du support no.3 doit être en contact avec le cadre de châssis.
- Monter l'ensemble soudé 3 en utilisant le boulon 2.
- Monter le ressort Aeon no. 5 en utilisant l'écrou no.1 or 2.
- Redescendre le véhicule.

INSTRUCCIONES DE INSTALACIÓN

- Levante el vehículo dejando que los ejes cuelguen libremente.
- Retire la unidad del tope de suspensión existente.
- Use arandela de caucho #4 y perno #1 para lograr el nivel deseado del vehículo.
- Coloque el perno 1 o 2 en la parte soldada 3.
- El pequeño diametro de la placa #3 debe colarse en posición debajo del chasis.
- Poner la parte soldada 3 utilizando el perno 2.
- Poner el resorte Aeon 5 utilizando la tuerca 1 or 2.
- Baje el vehículo.

Ref	Part	Qty
1	F11510-350	2
2	F11504-350	4
3	K10404-003	2
4	A25723-90AH00	2
5	A00550-75W0B	2



Do not exceed vehicle manufacturer's recommended axle weight rating. Check for AEON® interference with vehicle components - Under load AEON® will "expand" in diameter.

Ne pas dépasser le poids nominal sur l'essieu recommandé par le fabricant du véhicule. Vérifier que le ressort AEON® n'a pas d'incidence sur d'autres pièces du véhicule - Le ressort AEON® augmentera son diamètre avec la charge.

No exceda la carga nominal en el eje recomendada por el fabricante del vehículo. Compruebe que no haya interferencia entre el resorte AEON® y los otros componentes del vehículo. Bajo carga, el resorte AEON® se ampliará en diámetro.

FF550SDH



FF550SDH

TIMBREN INDUSTRIES INC.

www.timbren.com

PART NUMBER	DESCRIPTION	QTY	LOCATION
F11504-350	HCS M8 x 25 x 1.25 GR 8.8 Z	4	H3C
F11510-350	HCS M8 x 50 x 1.25 GR 8.8 Z	2	H3C

A00550-75W0B	Hollow Rubber Spring	2	C11A
A25723-90AH00	RUBBER SPACER 4"od x 1" thk w/ AH Bushing	2	

K10404-003	FF350SDC/550SD/550SDE/550SDH WELD. PTD.	2	D13A
-------------------	---	----------	-------------

B90200-CF	SMALL FRONT BOX - 9.5 x 7 x 5.5	1	A--E
B10000	8" x 12" BUBBLE FOR KITS	1	
B00029-010	BARCODE LABEL FOR KIT	1	

Issued: 1/8/2010

Clearance Instructions:

Rear SES Kits for Pick-Ups and Vans should have a 1/2" to 1-1/2" gap between the rubber spring and contact point when empty.

A partial load, or vehicle accessories will reduce or eliminate the gap.

Front SES kits are usually in full contact.

Medium and Heavy-Duty Trucks, Trailers and Motorhomes will be in constant contact, and have no gap.

Lifetime Warranty:

Timbren SES Kits are warranted against defects in material and workmanship, under normal use and service, for the life of the vehicle on which the kit was originally installed. The warranty is not transferable and proof of purchase is required. The warranty is limited to the replacement of the failed part.

TIMBREN will not be responsible for any labour or freight charges involved in the replacement of any product. TIMBREN shall be entitled to make its own inspection to determine the validity of the claim. TIMBREN shall not be liable nor warranty the product in the event of alteration, misuse, overload, negligence or damage caused by others.

If ride or performance of our product is unsatisfactory in any way, please call: 1-800-263-3113 or email sales@timbren.com

ASSEMBLY NOTES: